

LIFTING CABLE DRUMS USING CRANE

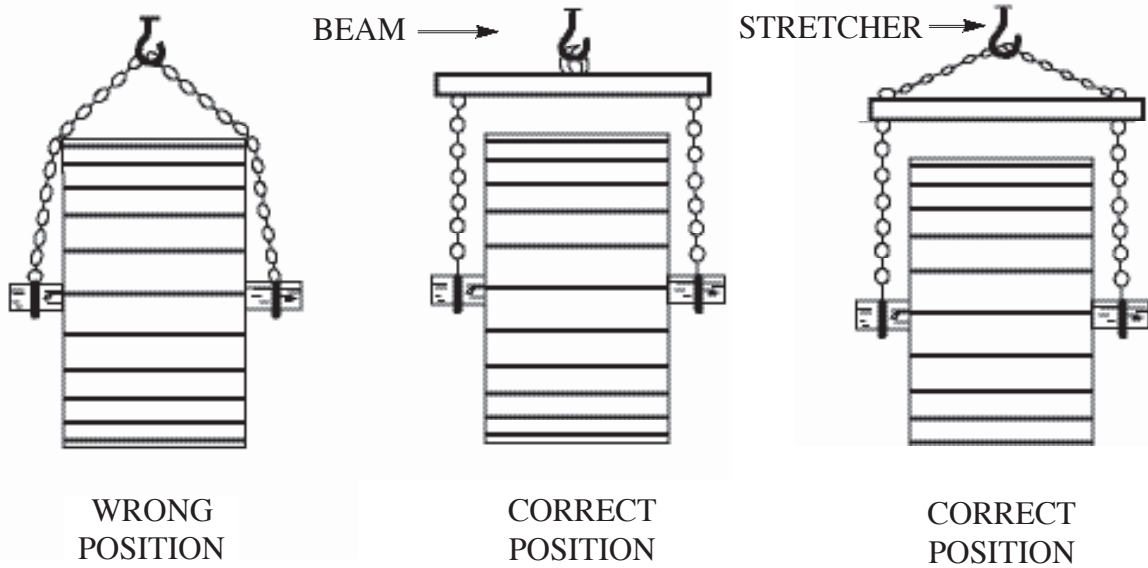
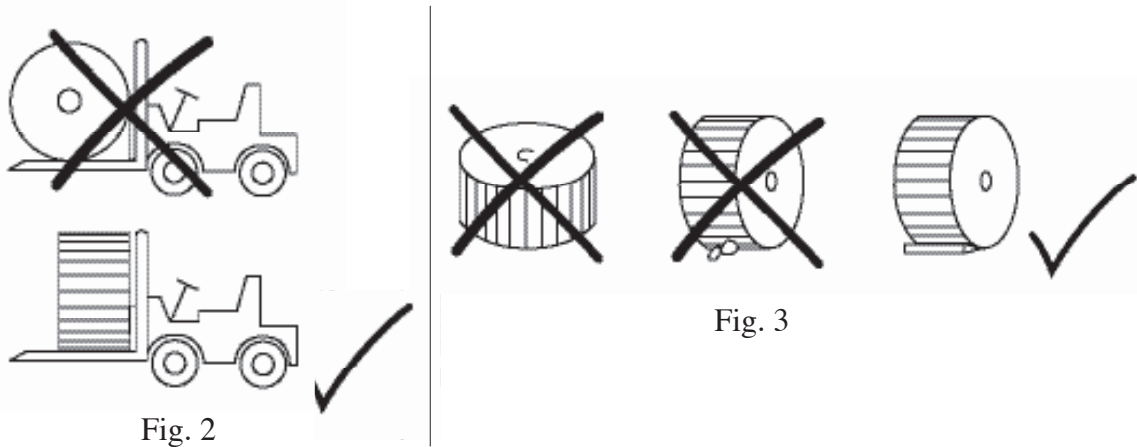


Fig. 1

LIFT DRUMS ON FORK TRUCKS CORRECTLY



- I) DO NOT LAY DRUMS FLAT ON THEIR SIDES
- II) USE PROPER STOPS TO PREVENT DRUMS ROLLING

AVOID DRIVING NAILS INTO CABLE DRUMS

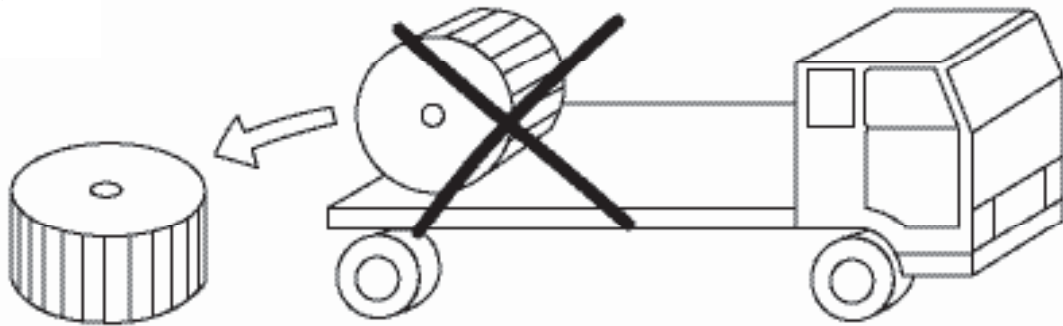


Fig. 4



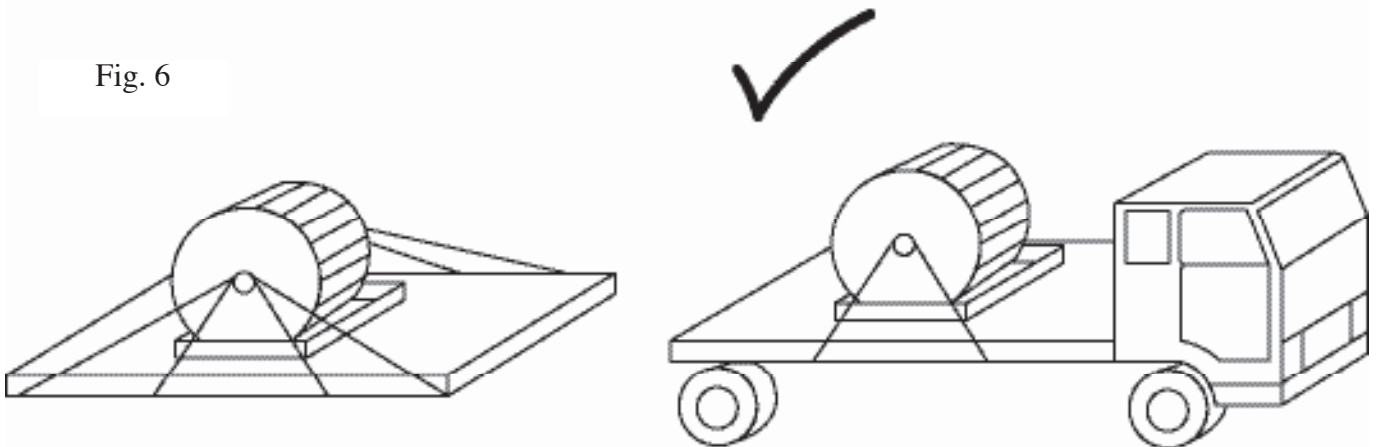
DO NOT DROP CABLE DRUMS FROM TRUCKS

Fig. 5



SECURE DRUMS ADEQUATELY BEFORE TRANSPORTATION

Fig. 6



**DO NOT DRAG CABLES AGAINST
DRUM FLANGES**

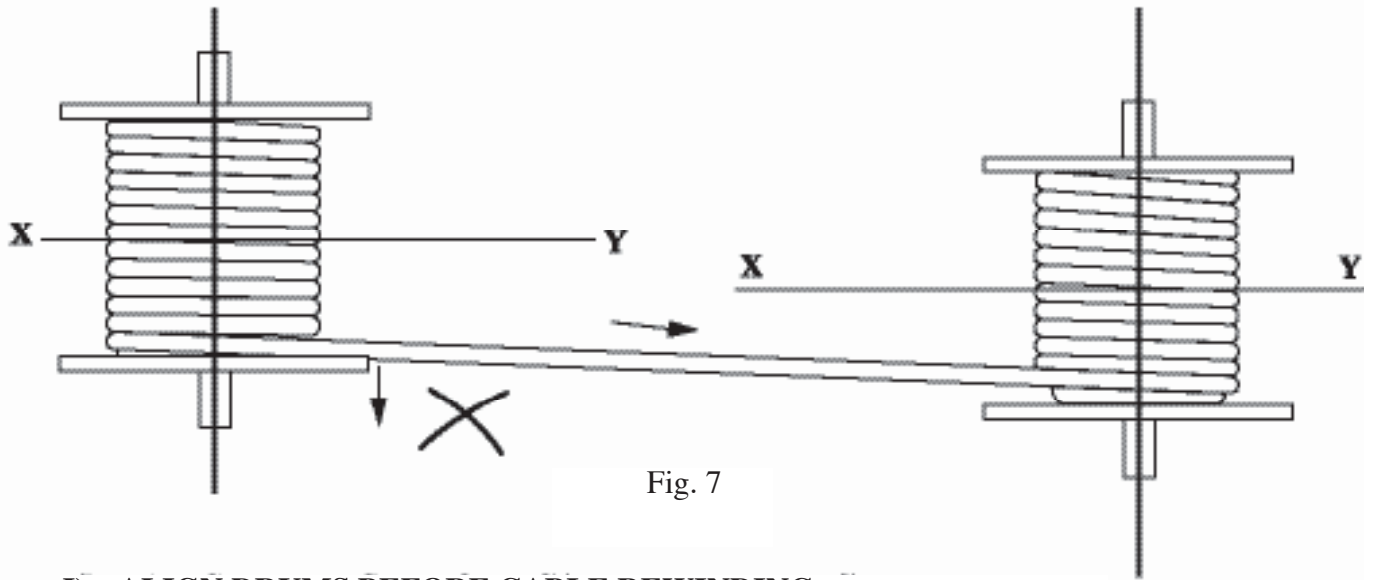


Fig. 7

- I) ALIGN DRUMS BEFORE CABLE REWINDING
- II) USE STOPPERS TO PREVENT DRUM LATERAL MOVEMENT
- III) USE FREE ROTATING ROLLER GUIDES

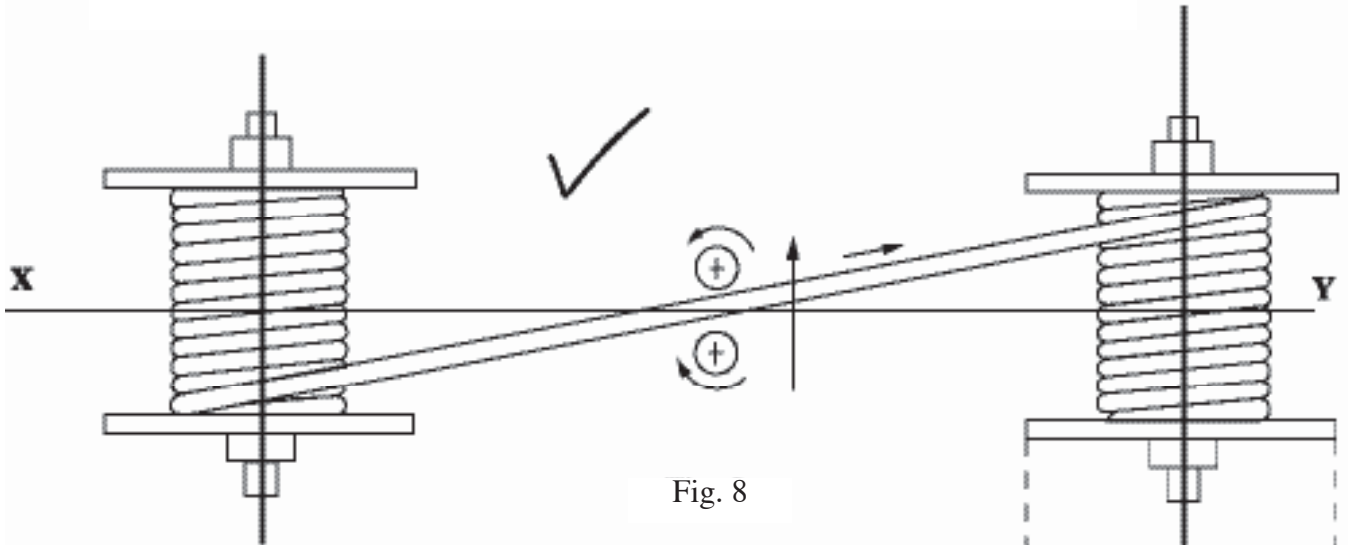


Fig. 8

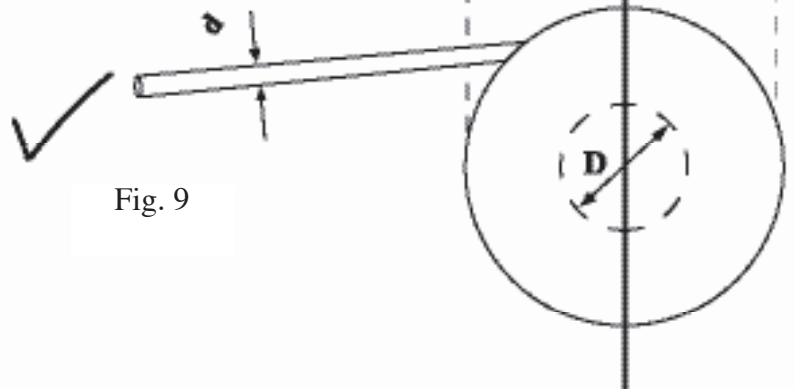


Fig. 9

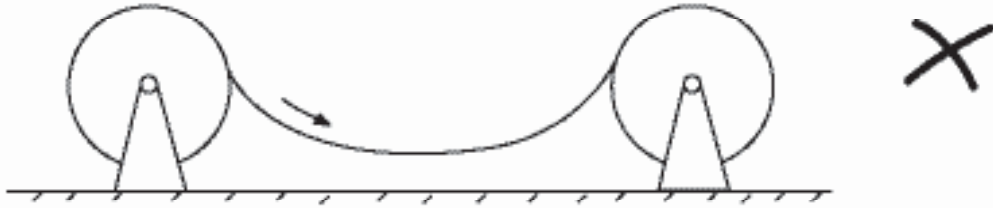


AL-RIFI Trading Est.
Tel: +966 1 405 6120, 403 6035
Fax: +966 1 405 2551, 403 6053

USE DRUMS WITH SUFFICIENT BARREL DIAMETER

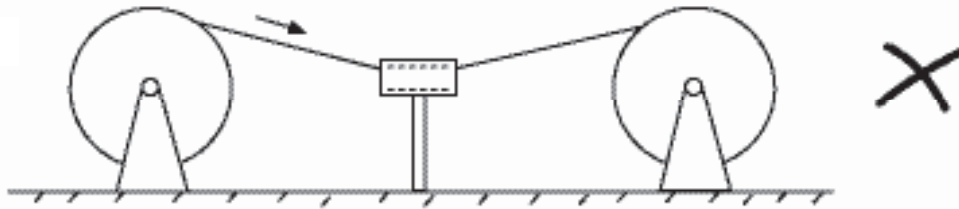
DO NOT PULL CABLE ACROSS LONG UNSUPPORTED SPANS

Fig. 10



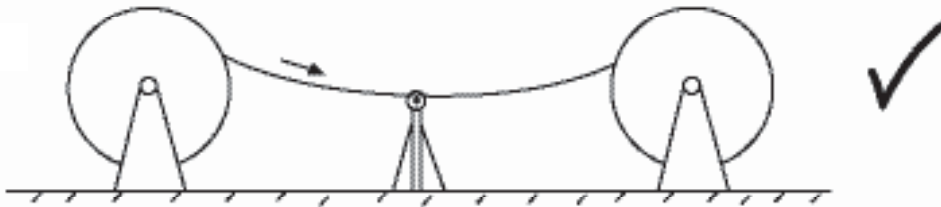
DO NOT DRAG CABLE AGAINST SHARP EDGES

Fig. 11



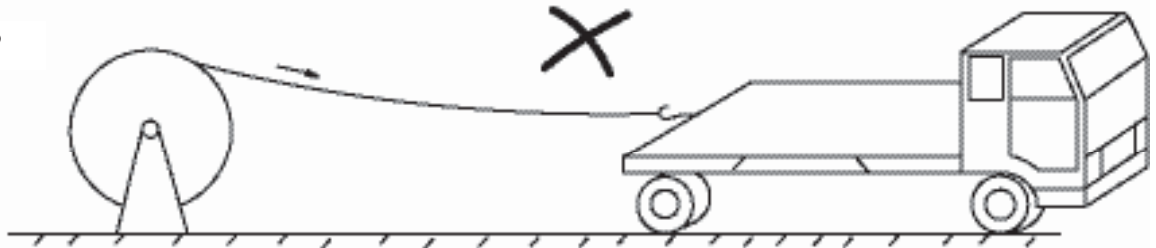
PROVIDE FREELY ROTATING ROLLER SUPPORTS

Fig. 12



DO NOT PULL CABLES WITH POWERED VEHICLES

Fig. 13



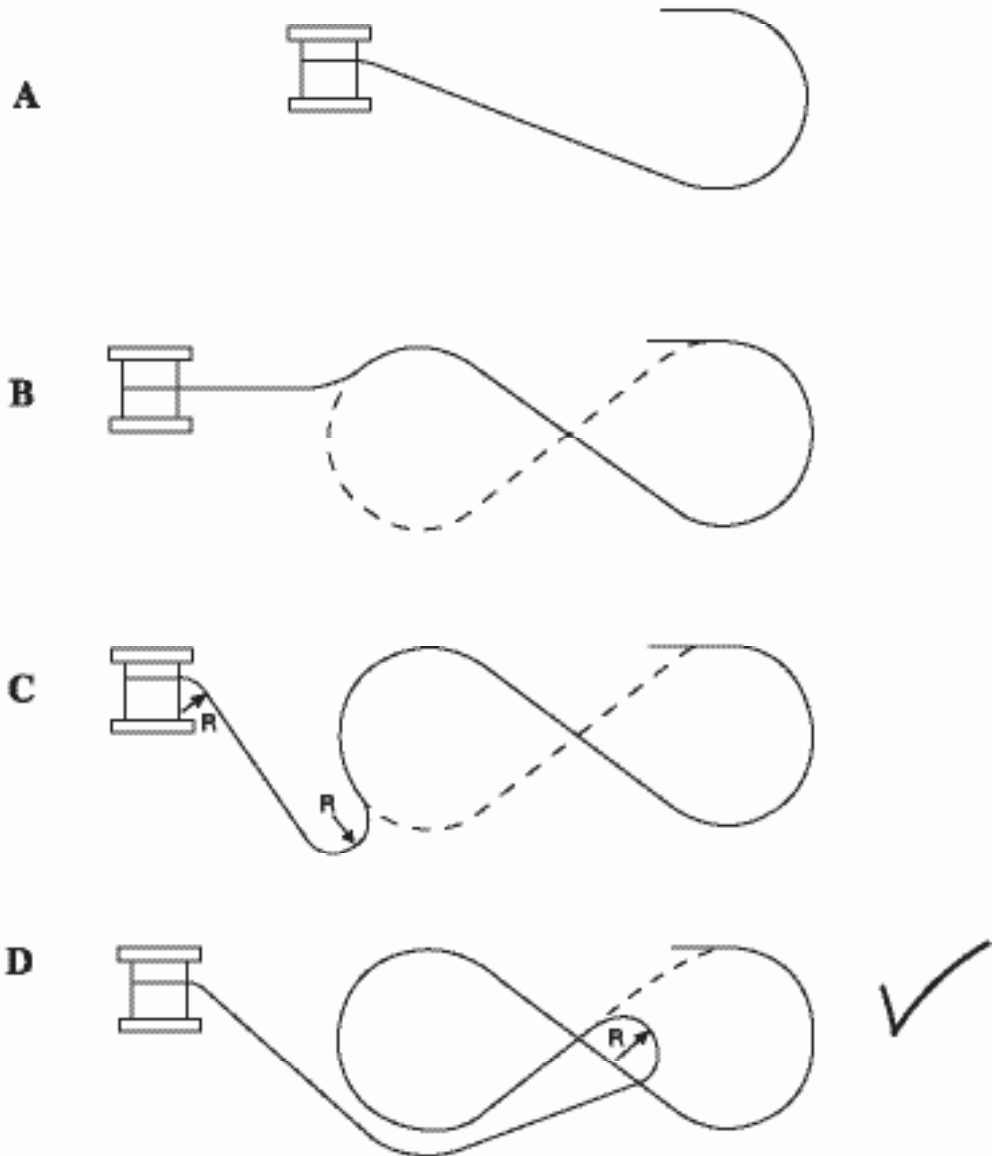
**DO NOT ATTEMPT "COILING" OF CABLE
ON THE GROUND**

Fig. 14



**ON THE GROUND CABLE CAN BE FLAKED
IN A FIGURE OF EIGHT FORMATION**

Fig. 15



AL-RIFI Trading Est.
Tel: +966 1 405 6120, 403 6035
Fax: +966 1 405 2551, 403 6053

Note: R Minimum permissible bending radius of cable.

SPECIAL PRECAUTIONS FOR HANDLING/INSTALLATION LSF (LOW SMOKE & FUME) SHEATHED CABLES

CABLE SHEATH APPLICATION

Material	Key Properties	Recommended for
PE	High mechanical strength	Direct burial / DuctInstallations
PVC	Flexibility & Flame retardance	General purpose . Laying in trench
LSF	Zero halogen / Low Smoke	Mass Transit Systems, High rise buildings & confined locations

Cables like LSF sheath need to be handled with care during installation. While special additives are used in the formulation of LSF compound to give the typical flame retardant characteristics of Zero halogen polymers (e.g high oxygen index, very low smoke density, no acid gas liberation and retardance to flame propagation) some mechanical properties deteriorate. The following basic installation methods are particularly applicable.

- a) Cables should not be exposed to sunlight for considerable period before installation i.e., the temp. of the cable sheath should be below 40 degree Celsius.
- b) Preferably the installation is done during morning hours when the ambient temp is low
- c) Wire/Rope should not be used directly on cable sheath for pulling.
- d) When pulled on cable trays/or any uneven surface, special attention is needed to weldings/or unusually rough terrains.
- e) Rollers and bends should not have any sharpness which may damage sheath.
- f) Special LSF compatible accessories and fixings are recommended for installations requiring enhanced fire performance.

